



**Costruzione
Allunghe e
Trasmissioni**

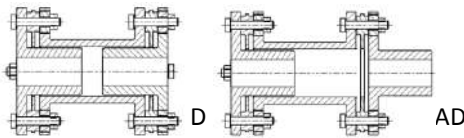
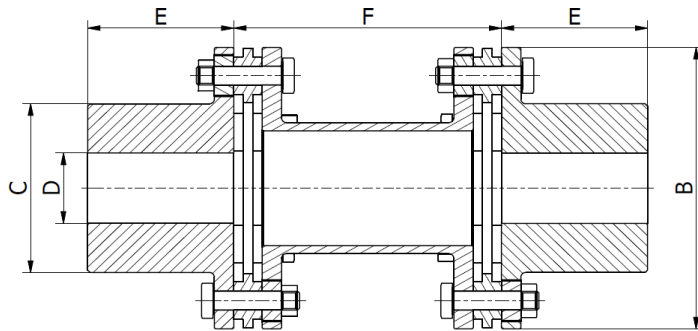


**PLATES PACKS LAMELLAR COUPLINGS
CATALOGUE 2018**



PLATES PACKS LAMELLAR COUPLINGS GPL MODEL

A



D/AD
Both/single hub
reverse assembly



- All steel coupling with intermidiate spacer
- Plates AISI 304
- Available with 4-6-8 bolts
- Maintenance free
- Backlash free
- Temperature range -40°C / + 150°C
- ATEX CE Ex - Possible on request

PRODUCT CODE KEY - EXAMPLE

GPL	6	A	95	42	38	95	S
Model							
Number of bolts							
Type							
Size							
Bore D1							
Bore D2							
DBSE "F" dimension							
Special design according text specification							

	TKN Nm	TKMax Nm	Speed Rpm-max	Δkw (°)	Δka mm	\varnothing bore Max mm	B mm	C mm	E mm	F (DBSE) mm	
GPL-A											
4A-70	160	320	4600	1,0	± 2.5	38	90	50	40	90	o.r.
4A-80	350	700	4400	1,0	± 3.0	42	105	60	45	100	o.r.
6A-95	650	1300	4200	0,7	± 2.6	55	120	77	60	110	o.r.
6A-110	900	1800	4000	0,7	± 2.9	65	135	86	70	120	o.r.
6A-120	1300	2600	3900	0,7	± 3.1	70	148	96	80	130	o.r.
6A-135	2500	5000	3800	0,7	± 3.4	80	170	110	90	150	o.r.
6A-158	2900	5800	3600	0,7	± 3.8	95	196	126	100	160	o.r.
6A-176	5000	10000	3500	0,7	± 4.1	100	220	135	110	170	o.r.
6A-186	6000	12000	3400	0,7	± 4.3	110	226	148	120	180	o.r.
6A-200	6500	13000	3200	0,7	± 4.5	120	240	156	125	190	o.r.
8A-210	9000	22000	3100	0,5	± 2.0	125	250	166	140	200	o.r.
8A-230	15000	30000	3000	0,5	± 2.2	140	277	186	160	210	o.r.
8A-245	21000	42000	3000	0,5	± 2.3	150	297	196	160	210	o.r.
8A-262	25000	50000	2900	0,5	± 2.5	160	316	205	180	220	o.r.
8A-283	33000	66000	2800	0,5	± 2.8	170	345	220	190	230	o.r.
8A-300	40000	80000	2500	0,5	± 3.0	185	365	235	210	240	o.r.
8A-320	50000	100000	2300	0,5	± 3.2	200	390	248	225	250	o.r.
8A-350	65000	130000	2100	0,5	± 3.5	220	420	270	250	260	o.r.

Δkw = Angular misalignment ; Δka = Axial misalignment

The permitted shaft misalignment are maximum values and must not occur in the same time.

TKN is calculated for 24H continous operation and maximum 20 start-up per hour - For sizing see related page

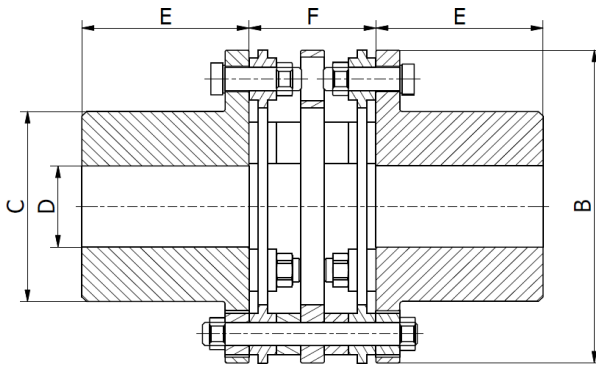
TKMax is permitted only five times per hour

Different design and sizes are possible



PLATES PACKS LAMELLAR COUPLINGS GPL MODEL

B



- All steel coupling with intermediate flange
- Axial compact design
- Plates AISI 304
- Available with 4-6 bolts
- Maintenance free
- Backlash free
- Temperature range -40°C / + 150°C
- ATEX CE Ex - Possible on request

PRODUCT CODE KEY - EXAMPLE

GPL	4	B	95	42	38	49	S
Model							
Number of bolts							
Type							
Size							
Bore D1							
Bore D2							
<i>DBSE "F" fixed dimension for this design</i>							
Special design according text specification							

	TKN	TKMax	Speed	Δkw	Δka	\varnothing bore	B	C	E	F
	Nm	Nm	Rpm-max	(°)	mm	Max mm	mm	mm	mm	mm
GPL-B										
4B-70	160	320	4600	1,0	± 2.5	38	90	50	40	39,1
4B-80	350	700	4400	1,0	± 3.0	42	105	60	45	47,2
4B-95	500	1000	4200	1,0	± 3.2	55	120	77	60	49,2
6B-110	900	1800	4000	0,7	± 2.9	65	135	86	70	53,2
6B-120	1300	2600	3900	0,7	± 3.1	70	148	96	80	53,2
6B-135	2500	5000	3800	0,7	± 3.4	80	170	110	90	67
6B-158	2900	5800	3600	0,7	± 3.8	95	196	126	100	68
6B-176	5000	10000	3500	0,7	± 4.1	100	220	135	110	76

Δkw = Angular misalignment ; Δka = Axial misalignment

The permitted shaft misalignment are maximum values and must not occur in the same time.

TKN is calculated for 24H continuous operation and maximum 20 start-up per hour - For sizing see related page

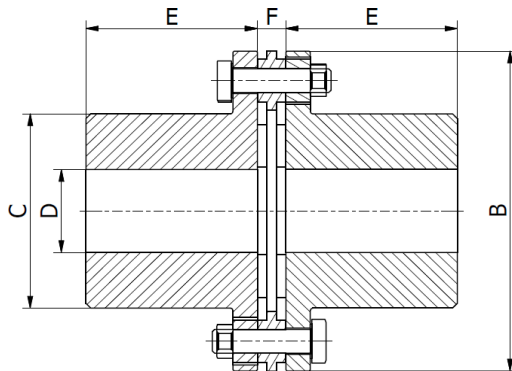
TKMax is permitted only five times per hour

Different design and sizes are possible



PLATES PACKS LAMELLAR COUPLINGS GPL MODEL

C



- All steel coupling without spacer
- Plates AISI 304
- Available with 4-6-8 bolts
- Maintenance free
- Backlash free
- Temperature range -40°C / + 150°C
- ATEX CE Ex - Possible on request

PRODUCT CODE KEY - EXAMPLE

Model	GPL	6	C	95	42	38	11	S
Number of bolts								
Type								
Size								
Bore D1								
Bore D2								
<i>DBSE "F" fixed dimension for this design</i>								
Special design according text specification								

	TKN Nm	TKMax Nm	Speed Rpm-max	Δkw (°)	Δka mm	\varnothing bore Max mm	B mm	C mm	E mm	F (DBSE) mm
GPL-C										
4C-70	160	320	4600	1,0	±1.2	38	90	50	40	8,8
4C-80	350	700	4400	1,0	±1.5	42	105	60	45	11,6
6C-95	650	1300	4200	0,7	±1.3	55	120	72	60	11,6
6C-110	900	1800	4000	0,7	±1.4	65	135	82	70	11,6
6C-120	1300	2600	3900	0,7	±1.5	70	148	86	80	11,6
6C-135	2500	5000	3800	0,7	±1.7	80	170	100	90	15
6C-158	2900	5800	3600	0,7	±1.9	95	196	115	100	15
6C-176	5000	10000	3500	0,7	±2.0	100	220	125	110	17
6C-186	6000	12000	3400	0,7	±2.1	110	226	136	120	17
6C-200	6500	13000	3200	0,7	±2.2	120	240	146	125	17
8C-210	9000	22000	3100	0,5	±1.0	135	250	155	140	17
8C-230	15000	30000	3000	0,5	±1.1	150	277	176	160	20
8C-245	21000	42000	3000	0,5	±1.1	150	297	190	160	20
8C-262	25000	50000	2900	0,5	±1.2	160	316	200	180	20
8C-283	33000	66000	2800	0,5	±1.4	170	345	220	190	24
8C-300	40000	80000	2500	0,5	±1.5	185	365	235	210	24
8C-320	50000	100000	2300	0,5	±1.6	200	390	248	225	26
8C-350	65000	130000	2100	0,5	±1.7	220	420	270	250	27

Δkw = Angular misalignment ; Δka = Axial misalignment

The permitted shaft misalignment are maximum values and must not occur in the same time.

TKN is calculated for 24H continuous operation and maximum 20 start-up per hour - For sizing see related page

TKMax is permitted only five times per hour

Different design and sizes are possible

TECHNICAL APPENDIX

A+B+C



SCREWS TIGHTENING TORQUE

Screw dimension Class 10.9	Tigh Trq Nm			
M6	8			
M8	15			
M10	30			
M12	45			
M16	100			
M18	150			
M20	180			
M24	350			
M27	500			
M30	700			
M36	1200			
M42	1900			

MAINTENACE AND LUBRICANTS

Maintenance free			
Visual check the plates at: Start-up After 4 monts Every 10,000 h operation			